

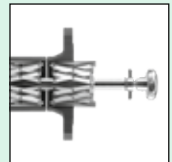
# Centromat®

# Hermann Rosorius

Ingenieurbüro GmbH

Special tools  
for pipeline construction,  
plant engineering  
and container manufacture

Centromat®



[www.centromat.com](http://www.centromat.com)



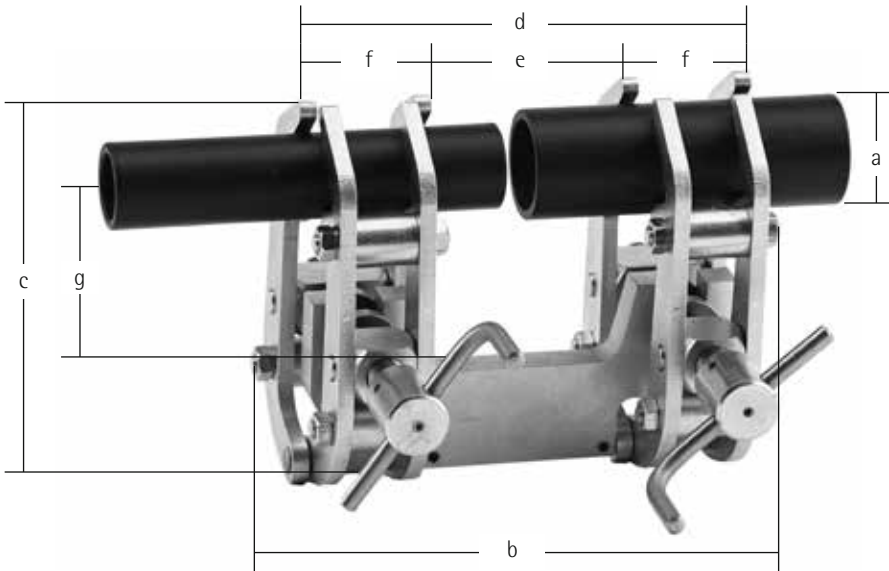
Centromat®

for quick and accurate alignment of pipes of **equal or differing diameters** on a common center line. **Automatic diameter compensation.** There's no need to make additional adjustments. All part stay easily accessible for welding.

To prevent electrolytic corrosion, we supply all versions only with clamping arms made of stainless steel (VA 1.4301).

	Size A	Size B	Size C
Clamping Range	10 - 70 mm	40 - 140 mm	75 - 330 mm
Weight	2,00 kg	5,30 kg	26,00 kg

# Dimensional sketch type 1a



Centromat®

Size A	Size B	Size C
a) 10 - 70 mm	a) 40 - 140 mm	a) 75 - 330 mm
b) 160 mm	b) 210 mm	b) 360 mm
c) 125 mm	c) 200 mm	c) 400 mm
d) 140 mm	d) 190 mm	d) 350 mm
e) 57 mm	e) 82 mm	e) 115 mm
f) 41 mm	f) 55 mm	f) 115 mm
g) 65 mm	g) 95 mm	g) 235 mm

Made in Germany

3

# type 1a-Orbital

## External Alignment Clamps "Orbital"



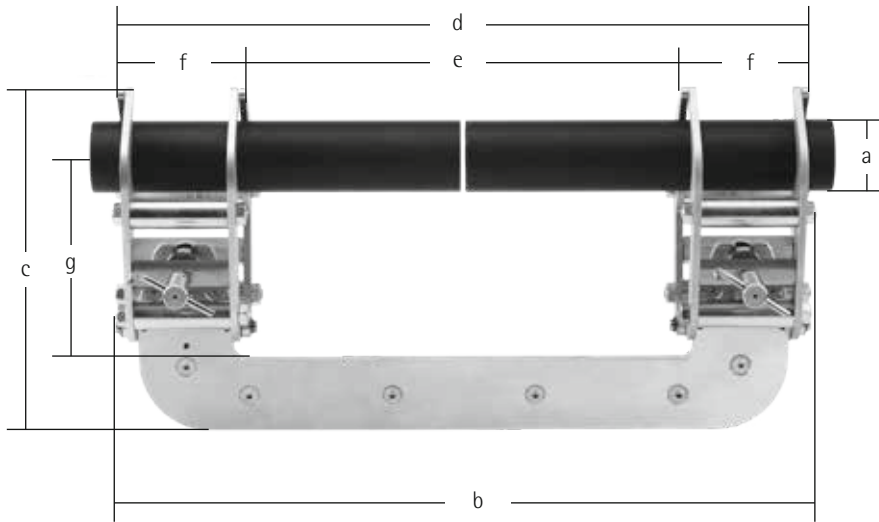
### Special version for orbital welding.

To relieve pressure from a welding unit during orbital welding, we recommend type 1a-Orbital. For quick and accurate alignment of pipes of **equal or differing diameters** on a common center line. **Automatic diameter compensation.** There's no need to make additional adjustments. All part stay easily accessible for welding.

To prevent electrolytic corrosion, we supply all versions only with clamping arms made of stainless steel (VA 1.4301).

	Size 1	Size 2	Size 3
Clamping Range	6 - 50 mm	10 - 70 mm	25 - 140 mm
Weight	3,60 kg	5,70 kg	12,60 kg

# Dimensional sketch type 1a-Orbital



Centromat®

	Size 1	Size 2	Size 3
a)	6 - 50 mm	10 - 70 mm	25 - 140 mm
b)	225 mm	400 mm	590 mm
c)	175 mm	235 mm	290 mm
d)	240 mm	387 mm	570 mm
e)	98 mm	243 mm	360 mm
f)	71,5 mm	71,5 mm	106 mm
g)	110 mm	160 mm	170 mm

Made in Germany

5

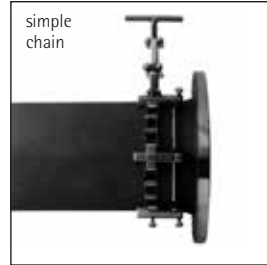
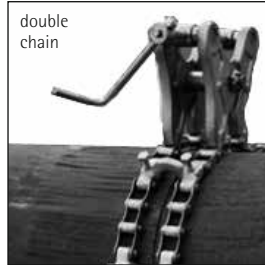
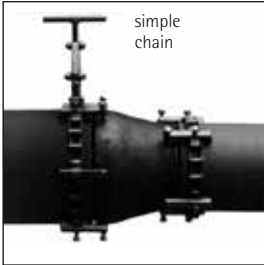


for exact centering and clamping of pipes without restriction in length. Also for curved tubes, flanges, T-shaped and other parts to pipes. The assembly of pipe-systems can be practised by only one pipefitter. Welding parts are accessible from all directions. Microadjustment device by wing-screw. To avoid corrosion we recommend stainless steel type.

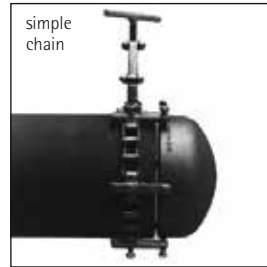
In order to prevent electrolytic corrosion, we recommend the stainless steel versions.

Size	Clamping Range	Weight
A	20 - 90 mm	1,40 kg
B	50 - 150 mm	3,00 kg
C	90 - 190 mm	3,30 kg
D	125 - 225 mm	6,80 kg
E	225 - 370 mm	8,65 kg





for centering and clamping of long pipes without restriction in length. Also for curved tubes, flanges, T-shaped parts etc. to pipes and tanks. Five different models available. Choice between galvanised steel or stainless steel. Great variability by simply taken-off or adding chain-links. For a ready-of-work centering chain is needed: 1 standard chain, 1 tensioner and may be additional chain-links.



#### Light model simple chain. Size 150

mainly used for welding flanges, reducing parts, form-pieces, Kloemper-seal-off-bottom etc. on pipes for pipes of external diameter from 168.3 mm

Standard length: 650 mm = 5 chain-links (DN 150)

Additional chain-link: 125 mm

#### Medium heavy model simple chain. Size 200

mainly used for welding flanges, reducing parts, form-pieces, Kloemper-seal-off-bottom etc. on pipes for pipes of external diameter from 219.1 mm

Standard length: 1275 mm = 7 chain-links (DN 200)

Additional chain-link: 177 mm

#### Heavy model simple chain. Size 300

mainly used for welding flanges, reducing parts, form-pieces, Kloemper-seal-off-bottom etc. on pipes for pipes of external diameter from 323.9 mm

Standard length: 1920 mm = 7 chain-links (DN 300)

Additional chain-link: 265 mm

#### Medium heavy model double chain. Size D 200

used for welding pipes on long pipes and on pipe parts for pipes of external diameter from 323.9 mm

Standard length: 1275 mm = 7 chain-links (DN 300)

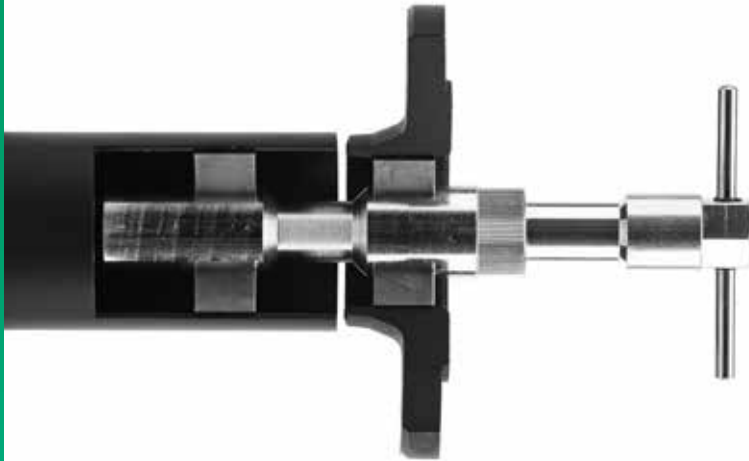
Additional chain-link: 177 mm

#### Heavy model, double chain. Size D 300

used for welding pipes on long pipes and on pipe parts for pipes of external diameter from 323.9 mm

Standard length: 1920 mm = 7 chain-links (DN 300)

Additional chain-link: 265 mm



Centromat®

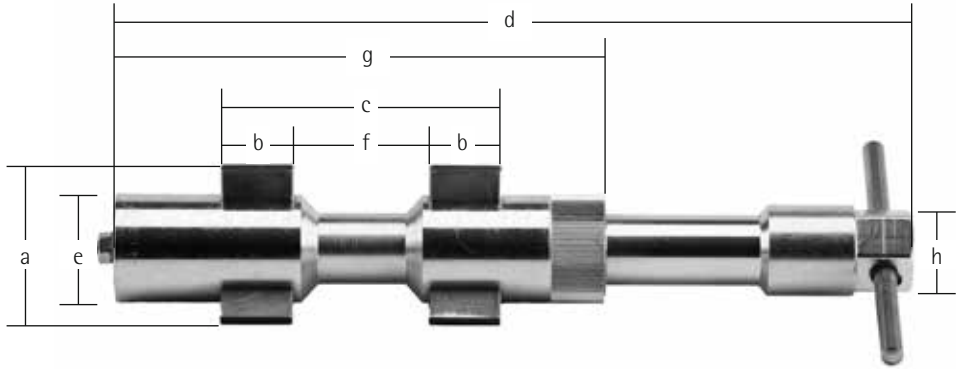
for quick and accurate alignment and clamping of flanges, nozzles, short pipe sections to pipes and cylindrical tanks. Wedge shaped clamps provide automatic compensation even for parts with greatly differing diameters.

To prevent electrolytic corrosion, we supply all versions only with clamping wedges made of stainless steel (VA 1.4301).

	Clamping Range	Weight
Size 004	15 - 19 mm	0,20 kg
Size 003	16 - 20 mm	0,20 kg
Size 002	19 - 25 mm	0,25 kg
Size 001	24 - 32 mm	0,50 kg
Size 01	31 - 40 mm	0,50 kg
Size 0	38 - 52 mm	1,25 kg
Size 00	51 - 64 mm	1,25 kg



# Dimensional sketch type 2



	Size 004	Size 003	Size 002	Size 001
a)	15 - 19 mm	16 - 20 mm	19 - 25 mm	24 - 32 mm
b)	15 mm	15 mm	15 mm	20 mm
c)	50 mm	50 mm	54 mm	84 mm
d)	154 - 170 mm	154 - 170 mm	154 - 170 mm	200 - 225 mm
e)	15 mm	16 mm	19 mm	24 mm
f)	20 mm	20 mm	24 mm	44 mm
g)	100 mm	100 mm	100 mm	149 mm
h)	SW 12	SW 12	SW 12	SW 15
	Size 01	Size 0	Size 00	
a)	31 - 40 mm	38 - 52 mm	51 - 64 mm	
b)	20 mm	25 mm	25 mm	
c)	84 mm	97 mm	97 mm	
d)	200 - 225 mm	247 - 278 mm	247 - 278 mm	
e)	24 mm	38 mm	38 mm	
f)	44 mm	47 mm	47 mm	
g)	149 mm	170 mm	170 mm	
h)	SW 15	SW 27	SW 27	

Centromat®



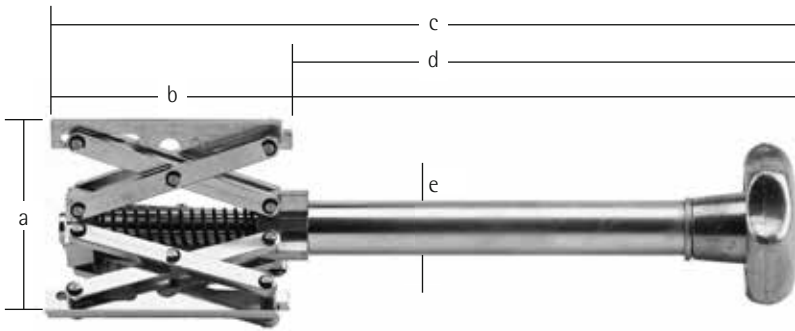
Centromat®

for clamping pipes of equal diameter or as a clamp with only one expanding clamping part.

To prevent electrolytic corrosion, we supply all versions only with support rails made of stainless steel (VA 1.4301).

	Clamping Range	Weight
Size 2	85 - 220 mm	2,40 kg
Size 3	120 - 350 mm	6,00 kg
Size 4	180 - 520 mm	14,00 kg
Size 4/s	400 - 940 mm	20,00 kg

# Dimensional sketch type 3c



Centromat®

	Size 2	Size 3	Size 4	Size 4/s
a)	85 - 220 mm	120 - 350 mm	180 - 520 mm	400 - 940 mm
b)	144 mm	233 mm	300 mm	300 mm
c)	480 mm	540 mm	630 mm	630 mm
d)	335 mm	300 mm	325 mm	325 mm
e)	26 mm	34 mm	36 mm	36 mm

# type 4 Internal Alignment Clamp



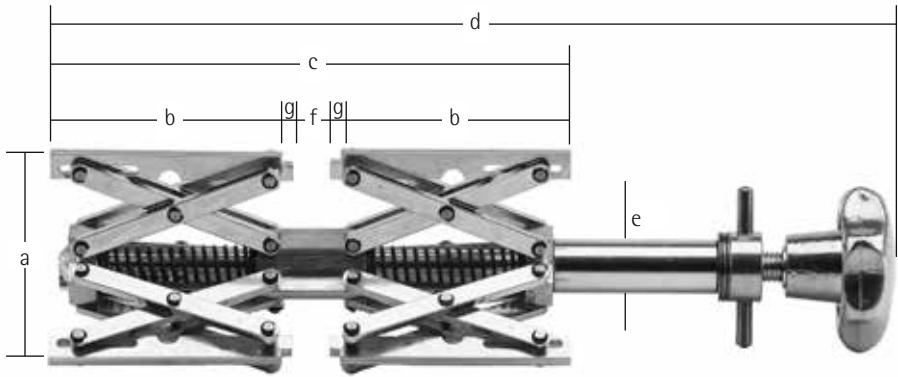
Centromat®

this model has two independent expanding clamps, allowing coaxial alignment of two hollow cylindrical components of different diameters. The bottom expanding clamp is inserted and clamped in the pipe by means of the knob. Then the other part (e.g. a flange) is placed over the top expanding clamp and clamped by means of the hand-bar. Compared with model 3a. This model is specially suited for heavy parts. **Automatic diameter compensation.**

To prevent electrolytic corrosion, we supply all versions only with support rails made of stainless steel (VA 1.4301).

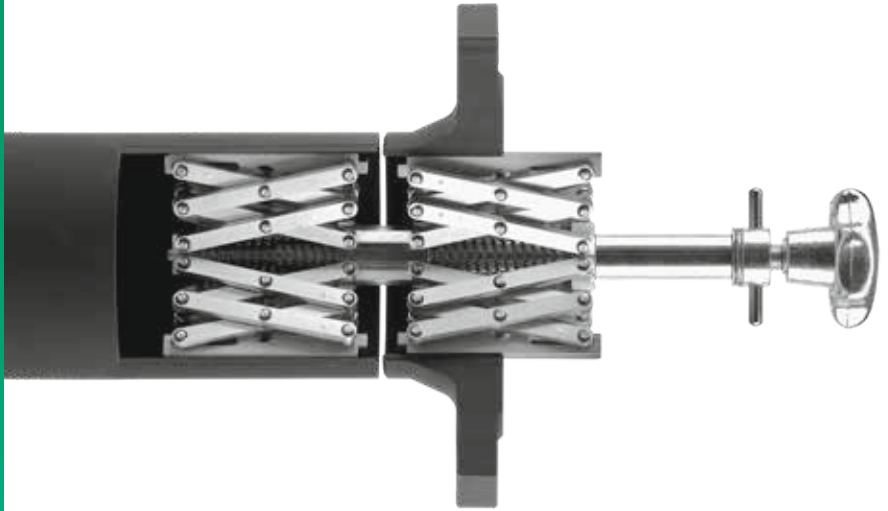
	Clamping Range	Weight
Size 1/e	54 - 140 mm	1,30 kg
Size 2/e	85 - 220 mm	3,90 kg
Size 3/e	120 - 350 mm	11,50 kg
Size 4/e	180 - 520 mm	27,00 kg

# Dimensional sketch type 4



Centromat®

	Size 1/e	Size 2/e	Size 3/e	Size 4/e
a)	54 - 140 mm	85 - 220 mm	120 - 350 mm	180 - 520 mm
b)	88 mm	144 mm	233 mm	300 mm
c)	190 mm	309 mm	491 mm	636 mm
d)	290 - 310 mm	445 - 505 mm	745 - 790 mm	850 - 960 mm
e)	20 mm	26 mm	34 mm	36 mm
f)	14 mm	21 mm	25 mm	36 mm
g)	4 mm	5 mm	6 mm	8 mm



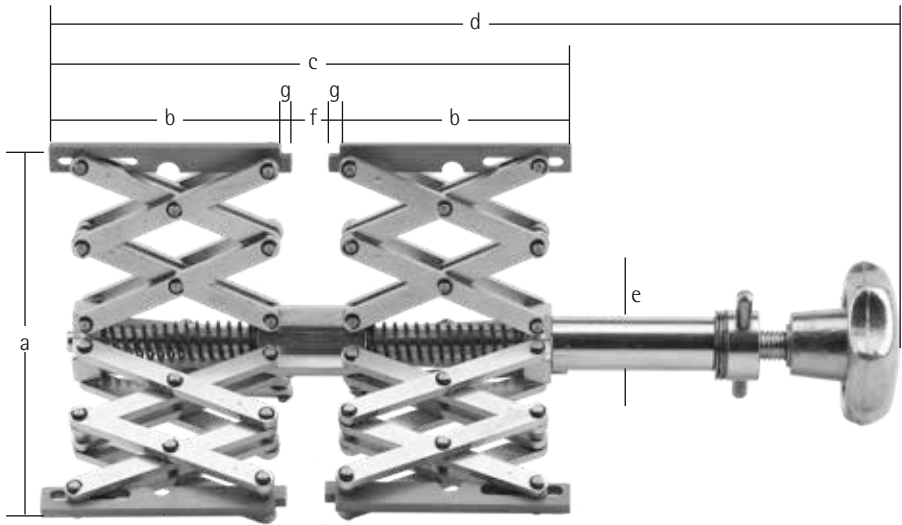
Centromat®

Immediate fast, safe and exact centring and tensioning of flanges, brackets, rings, etc. on pipes and cylindrical tanks. Comes with contact surface for smooth flanges. **Automatic diameter compensation** even for extremely varied diameters via independently tensible bracing elements. The CENTROMAT® centring device is fixed with the lower expansion element in the pipe, the flange or similar attached and finally centred and clamped using the upper expansion element.

To prevent electrolytic corrosion, we supply all versions only with support rails made of stainless steel (VA 1.4301).

	Clamping range	Weight
Size 1/es	120 - 250 mm	1,80 kg
Size 2/es	220 - 400 mm	5,20 kg
Size 3/es	300 - 640 mm	16,40 kg
Size 4/es	400 - 940 mm	39,00 kg

# Dimensional sketch type 4s



Centromat®

	Size 1/es	Size 2/es	Size 3/es	Size 4/es
a)	120 - 250 mm	220 - 400 mm	300 - 640 mm	400 - 940 mm
b)	88 mm	144 mm	233 mm	300 mm
c)	190 mm	309 mm	491 mm	636 mm
d)	290 - 310 mm	445 - 505 mm	745 - 790 mm	850 - 960 mm
e)	20 mm	26 mm	34 mm	36 mm
f)	14 mm	21 mm	25 mm	36 mm
g)	4 mm	5 mm	6 mm	8 mm



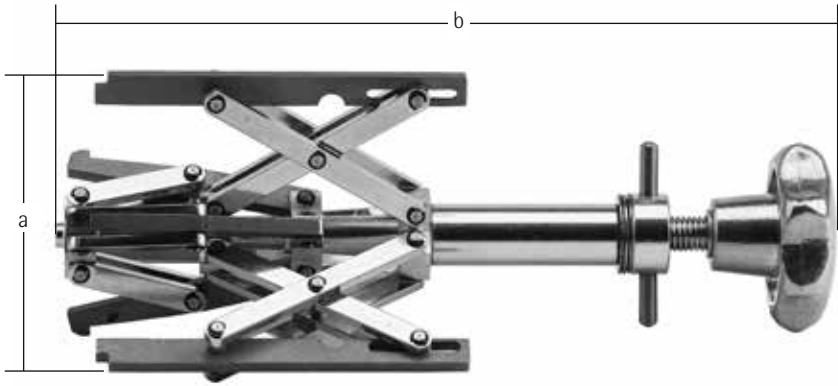
this model with two independent clamps is used for clamping flanges of all kinds and similar parts to elbows and pipe-bends of various diameters. The lower expanding clamp has strong gripping feet which insert into the bend and are tightened by means of the knob. The top expanding clamp is tightened by means of the hand-bar in the flange. **Automatic diameter compensation.**

To prevent electrolytic corrosion, we supply all versions only with support rails made of stainless steel (VA 1.4301).

	Clamping Range	Weight
Size 1/b-e	54 - 115 mm	1,00 kg
Size 2/b-e	85 - 195 mm	3,10 kg
Size 3/b-e	120 - 315 mm	9,30 kg
Size 4/b-e	180 - 520 mm	23,10 kg

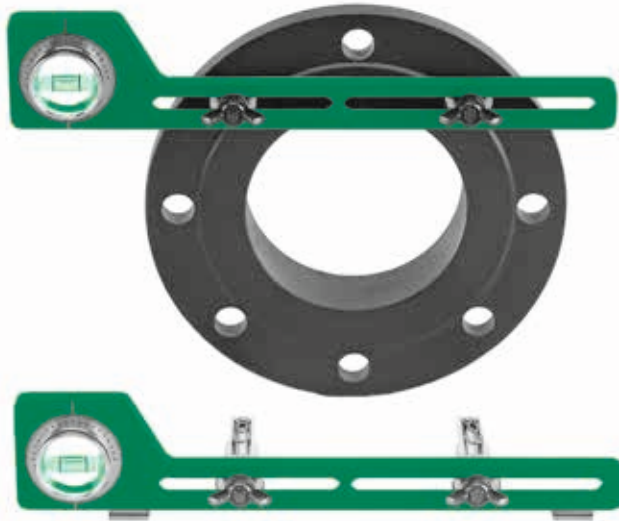


# Dimensional sketch type 5



Centromat®

	Size 1/b-e	Size 2/b-e	Size 3/b-e	Size 4/b-e
a)	54 - 115 mm	85 - 195 mm	120 - 315 mm	180 - 520 mm
b)	250 mm	395 mm	660 mm	940 mm



(fixing by slip-in pivots) this spirit level has adjustable slip-in pivots which fit flange bolt holes of various diameters. The adjustable water-level is surrounded by a scale. The scale has both: Degree and inclination-percentage markings. Any angle of degree or inclination can easily be set and read without the need for additional calculation. In this way flanges can be aligned with great accuracy. Material: Anodized aluminium.

Size 1	Size 1a	Size 2
Length 300 mm, for flange hole distances 35 - 190 mm, with standard slip-in-pivots 13 - 22 mm ø Weight: 0,30 kg	like size 1, but with mag- netic pads for fixing an extra inclination level.  Weight: 0,32 kg	Length 400 mm, for flange hole distances 35 - 290 mm, with standard slip-in-pivots 13 - 22 mm ø Weight: 0,35 kg
For all tools even available: Slip-in-pivots 12 - 18 mm ø Hulls* 25 - 30 mm ø *Plug-in-Pipe to be fixed into standard slip-in-pivots for flange holes 25 - 30 mm ø		



The Centering Head provides a quick and accurate means of establishing pipe centreline, locating points on tanks or pipes, **measuring slope**, **establishing angles** and **laying keyways**. The Centering Head Tool can be used to measure and mark different points around the pipe, flange or fitting. Material: Anodized aluminium. Punch: Tool steel, hardened.

Centromat®

**Size 1****Weight**

Diameters leg's length from 12 mm to ca. 1000 mm

0,60 kg

## *Certification*

for the company of Hermann Rosorius GmbH  
Lohheckenweg 35  
53347 Alfter

The special tools distributed under the trade name "Centromat®" by the company Rosorius GmbH for pipeline- and tank construction are meaningful devices which can provide various types of support to the welder when welding. The devices are of mechanically clean design and good quality production. They completely meet the legal requirements and after brief training can also be used by semi-skilled personnel.

CE marking is neither necessary nor possible for these devices since they are not machines in the sense of the EU machine directive and none of the other EU directives currently in force apply.

The possible dangers arising from the devices and in particular the energies stored in the spring are negligible with intended use, so that no serious dangers can arise to the user from the devices.

Cologne, 12 February 1998

TÜV Rheinland Product Safety GmbH

Dr. R. Scheffel



Centromat®

Made in Germany 21

# Price list

- 1a Centromat® External alignment clamp**  
for aligning long pipes of equal or differing diameters,  
automatic  $\emptyset$ -compensation.

Size	Clamping Range	Weight
A	10 - 70 mm	2,00 kg
B	40 - 140 mm	5,30 kg
C	75 - 330 mm	26,00 kg

- 1a Centromat® External alignment clamp "Orbital"**  
for aligning long pipes of equal or differing diameters,  
automatic  $\emptyset$ -compensation.

Size	Clamping Range	Weight
1	6 - 50 mm	3,60 kg
2	10 - 70 mm	5,70 kg
3	25 - 140 mm	12,60 kg

- 1b Centromat® Quick grip pipe clamp**  
for pipe bends, pipe fittings etc.  
to pipes of equal or differing diameters

Size	Clamping Range	Weight
A	20 - 90 mm	1,40 kg
B	50 - 150 mm	3,00 kg
C	90 - 190 mm	3,30 kg
D	125 - 225 mm	6,80 kg
E	225 - 370 mm	8,65 kg

- 1c Centromat® Pipe centering chains**  
for long pipes, pipe bends, end caps and pipe fittings  
to pipes and containers.  
Prices quoted include turnbuckle for standard lengths.

**Size 150, light, simple chain**  
usable for pipe external  $\emptyset$  from 168.3 mm  
standard length 650 mm  
extension piece 125 mm  
replacement turnbuckle

**Size 200, medium weight, simple chain**  
usable for pipe external  $\emptyset$  from 219.1 mm  
standard length 1275 mm  
extension piece 177 mm  
replacement turnbuckle

Version in steel  
€/item

Version in  
stainless steel  
€/item

**Size 300, heavyweight, simple chain**

usable for pipe external  $\varnothing$  from 323,9 mm  
 standard length 1920 mm  
 extension piece 265 mm  
 replacement turnbuckle

**200 D size medium weight, double chain**

usable for pipe external  $\varnothing$  from 323,9 mm  
 standard length 1275 mm  
 extension piece 177 mm  
 replacement turnbuckle

**Size D 300, heavyweight, double chain,**

usable for pipe external  $\varnothing$  from 323,9 mm  
 standard length 1920 mm  
 Extension piece 265 mm  
 replacement turnbuckle

**2****Centromat® Internal alignment clamp**

cylindrical shape, for flanges, nozzles, rings etc.  
 on pipes and containers, automatic  $\varnothing$ -compensation

Size	Clamping Range	Weight
004	15 - 19 mm	0,20 kg
003	16 - 20 mm	0,20 kg
002	19 - 25 mm	0,25 kg
001	24 - 32 mm	0,50 kg
001	31 - 40 mm	0,50 kg
000	38 - 52 mm	1,25 kg
000	51 - 64 mm	1,25 kg

**3a****Centromat® Internal alignment clamp**

scissor-shaped, for flanges, nozzles, rings etc.  
 on pipes and containers, automatic  $\varnothing$ -compensation

Size	Clamping Range	Weight
1	54 - 140 mm	1,25 kg
2	85 - 220 mm	3,35 kg

*Model 3a: Delivery of discontinued model as long as stocks last.*

Version in steel  
€/itemVersion in  
stainless steel  
€/item

- 3c Centromat® Internal alignment clamp**  
scissor-shaped, for tightening and aligning pieces  
of equal diameter

Size	Clamping Range	Weight
2	85 - 220 mm	2,40 kg
3	120 - 350 mm	6,00 kg
4	180 - 520 mm	14,00 kg
4/s	400 - 940 mm	20,00 kg

*Delivery of discontinued model as long as stocks last.*

- 4 Centromat® Internal alignment clamp**  
scissor-shaped, for flanges, pipe connections, rings etc.  
on pipes and containers. Specially recommended for  
heavyweight pipe fittings automatic  $\emptyset$ -compensation.

Size	Clamping Range	Weight
1/e	54 - 140 mm	1,30 kg
2/e	85 - 220 mm	3,90 kg
3/e	120 - 350 mm	11,50 kg
4/e	180 - 520 mm	27,00 kg

- 4s Centromat® Internal alignment clamp**  
scissor-shaped, for flanges, brackets, rings etc. on pipes  
and tanks.

Size	Clamping Range	Weight
1/es	120 - 250 mm	1,80 kg
2/es	220 - 400 mm	5,20 kg
3/es	300 - 640 mm	16,40 kg
4/es	400 - 940 mm	39,00 kg

- 5 Centromat® Internal alignment clamp**  
scissors-shaped, for flanges and pipe fittings to  
pipe bends and elbows, automatic  $\emptyset$ -compensation

Size	Clamping Range	Weight
1/b-e	54 - 115 mm	1,00 kg
2/b-e	85 - 195 mm	3,10 kg
3/b-e	120 - 315 mm	9,30 kg
4/b-e	180 - 520 mm	23,10 kg



**9****Centromat® Flange spirit level**

for aligning flange hole circles, with fitting bolts and inclinometer spirit level for adjusting angles and inclinations, with standard plug bolts 13 - 22 mm.

Size 1

for flange hole spacing 35 - 190 mm

Size 2

for flange hole spacing 35 - 290 mm

Version 1a is also fitted with magnetic clamps and can therefore be used as an inclinometer level.

Size	Length	Weight	
1	300 mm	0,30 kg	
1 a	with clamping magnets 300 mm	0,32 kg	
2	400 mm	0,35 kg	
	Additional plug bolts 12 - 18 mm		pair
	Additional plain coupler for extending to flange hole ø 25 - 30 mm		pair
	Replacement standard slip-in-pivots ø 13 - 22 mm		pair

**11****Centromat® Center Punch**

Size	Pipe ø range	Weight
1	12 mm to 1000 mm	0,60 kg

The prices quoted are subject to confirmation.

With the publication of this price list all earlier quotations and price lists are no longer valid.

Goods delivered remain the property of the supplier until full payment.

Place of jurisdiction Bonn.

Subject to being unsold, and to changes to prices and technical details.

Delivery: including packaging,  
FCA Meckenheim according to INCOTERMS® 2020 or  
dispatch per UPS charged at cost of carriage.

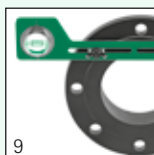
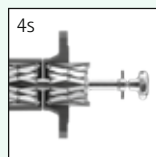
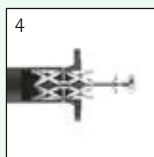
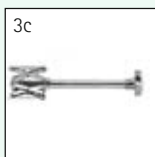
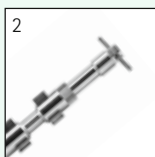
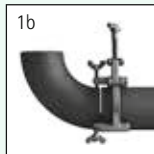
Payment: 30 days nett

Valid: as at December 2021

Version in steel  
€/item

Version in  
stainless steel  
€/item

# Centromat®



# Hermann Rosorius

Ingenieurbüro GmbH

**Special tools  
for pipeline construction,  
plant engineering  
and container manufacture**

Carl-Zeiss-Straße 11  
53340 Meckenheim  
Phone +49 (0)2225 7095715  
info@centromat.de  
www.centromat.de  
www.centromat.com (Webshop)

Centromat®